

Engine	Yanmar 4TNV98-ZCSLY
Gross Power	46.3 kW (62 hp) @ 2,200 rpm
Net Power	44.5 kW (60 hp) @ 2,200 rpm
Maximum Dig Depth	4,030 mm
Standard Bucket Capacity	0.32 m <sup>3</sup>
Operating Weight	7,500/7,150 kg

# 908E EXCAVATOR



TOUGH WORLD. TOUGH EQUIPMENT.

# 908E SPECIFICATIONS >>>

## ENGINE

Emission Regulation	Tier 3 / Stage IIIA
Make	Yanmar
Model	4TNV98-ZCSLY
Gross Power	46.3 kW (62 hp) @ 2,200 rpm
Net Power	44.5 kW (60 hp) @ 2,200 rpm
Peak Torque	245 N·m @ 1,650 rpm
Number of Cylinders	4
Displacement	3.3 L

## TRACK DRIVE

Maximum Travel Speed	4.8 km/h
Drawbar Pull	64 kN

## UNDERCARRIAGE

Shoe Width	450 mm
Number of Shoes per Side	39
Number of Bottom Rollers per Side	5
Number of Upper Rollers per Side	1

## HYDRAULIC SYSTEM

Main Pumps Total Flow	167.2 L/min
Relief Pressure, main	29.4 MPa
Relief Pressure, boost	/

## SWING SYSTEM

Swing Speed	11 rpm
-------------	--------

## REFERENCE ARM

Arm Length	1,650 mm
Arm Breakout Force, max, ISO	36 kN

## WORKING RANGES

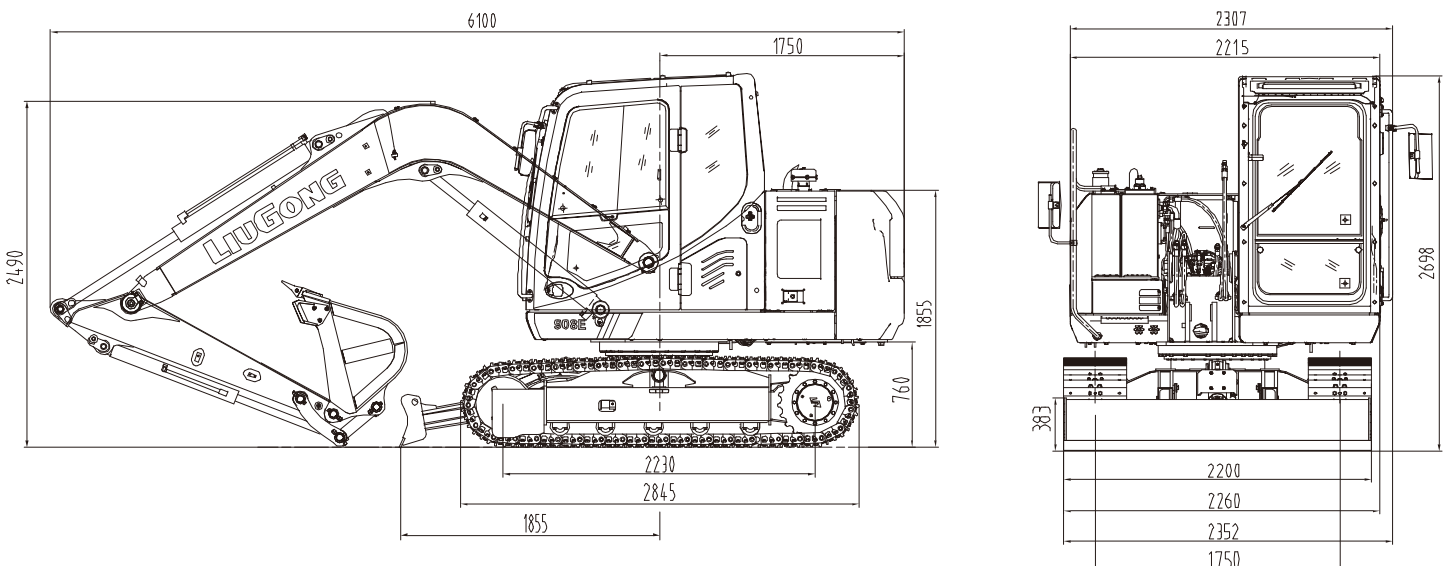
Maximum Dig Depth	4,030 mm
Reach at Ground Level	6,125 mm
Depth of 8' Level Bottom	3,645 mm
Maximum Dig Height	7,115 mm
Dump Height	5,080 mm
Maximum Dig Depth of Vertical Wall	3,240 mm

## BUCKET PERFORMANCE

Standard Bucket Heaped Capacity ( Referenced )	0.32 m <sup>3</sup>
Minimum Heaped Capacity of Bucket Options	/
Maximum Heaped Capacity of Bucket Options	/
Bucket Breakout Force, max , ISO	56 kN

## SERVICE CAPACITIES

Fuel Tank	140 L
Engine Oil	11.6 L
Cooling System	12 L
Hydraulic Reservoir	80 L
Hydraulic System Total	110 L



Guangxi Liugong Machinery Co., Ltd.

No. 1 Liutai Road, Liuzhou, Guangxi PR China, 545007

T: +86 772 3886124

E: overseas@liugong.com

www.liugong.com

Specifications and designs are subject to change without notice. Machines shown may include optional equipment.

06/2017 Designed by LiuGong